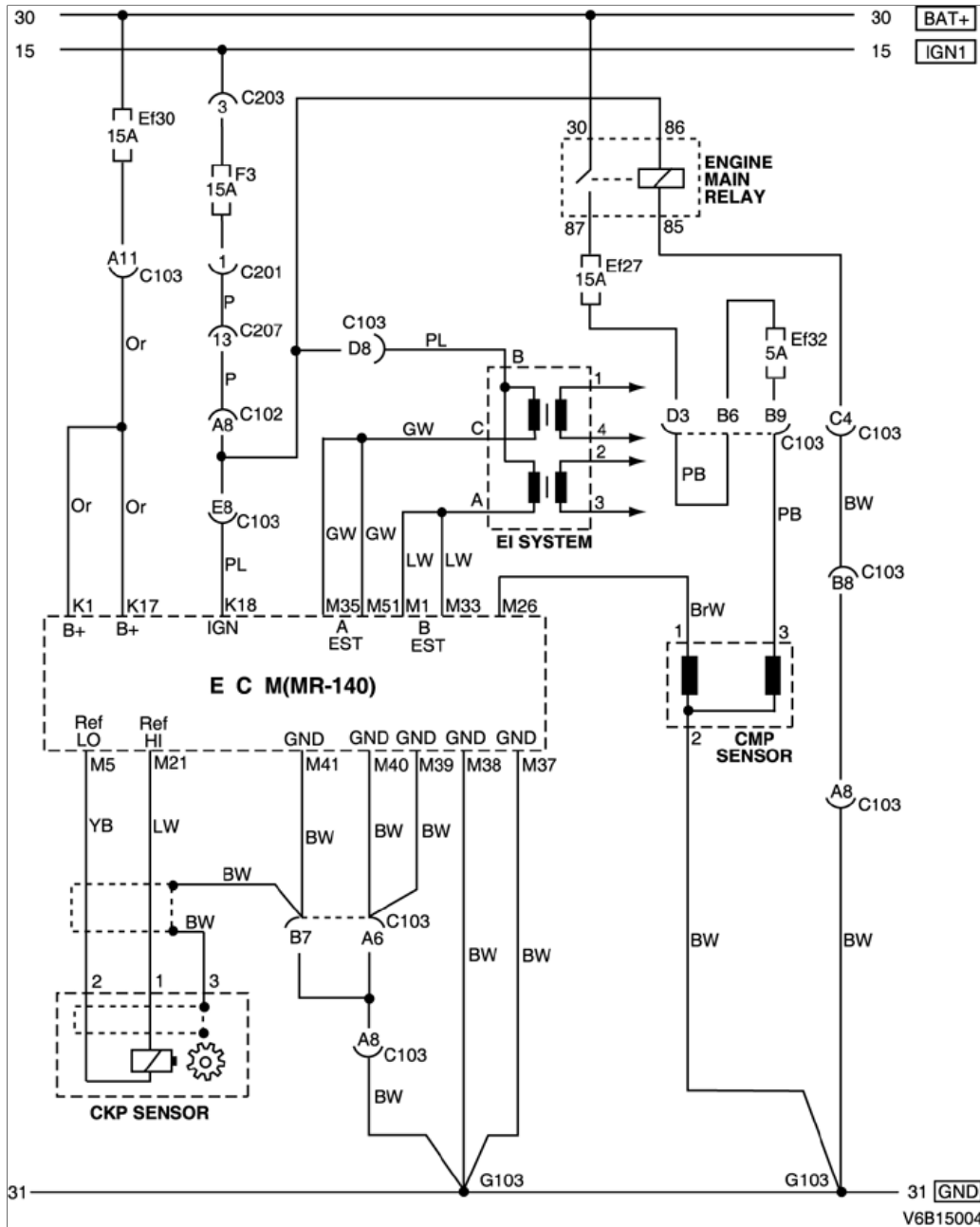


2. ECM (ENGINE CONTROL MODULE) : MR - 140

1) POWER SUPPLY, GROUND, EI SYSTEM, CKP SENSOR & CMP SENSOR CIRCUIT

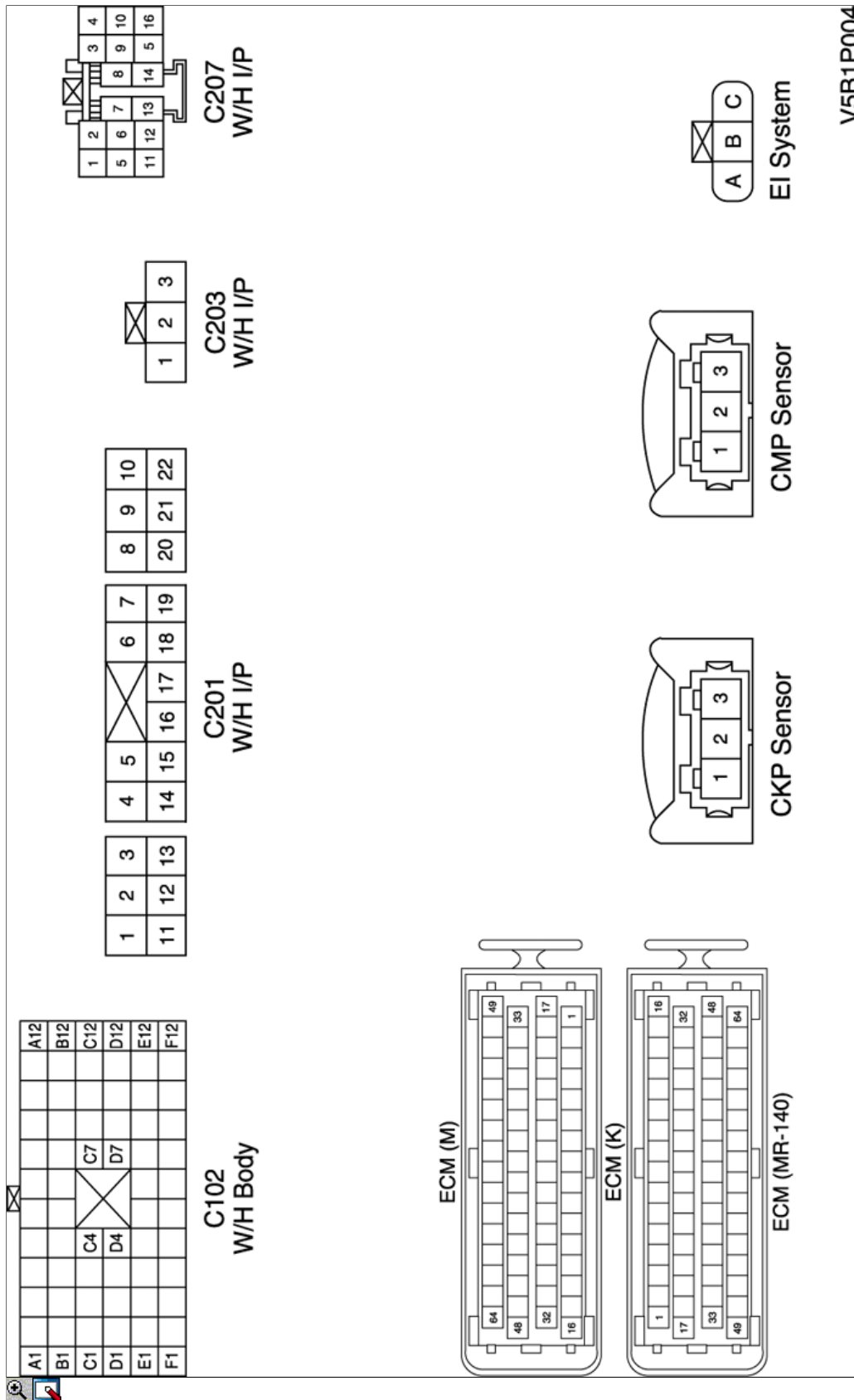


a. CONNECTOR INFORMATION

CONNECTOR NO (PIN NO, COLOR)	CONNECTING WIRING HARNESS	CONNECTOR POSITION
C102 (68 Pin, Brown)	Engine Fuse Block - Body	Engine Fuse Block
C201 (22 Pin, White)	I/P Fuse Block - I/P	I/P Fuse Block
C203 (3 Pin, Gray)	I/P Fuse Block - I/P	I/P Fuse Block
C207 (16 Pin, White)	I/P - Body	Below Driver Leg Room

CONNECTOR NO (PIN NO, COLOR)	CONNECTING WIRING HARNESS	CONNECTOR POSITION
G103	Engine	Below Generator

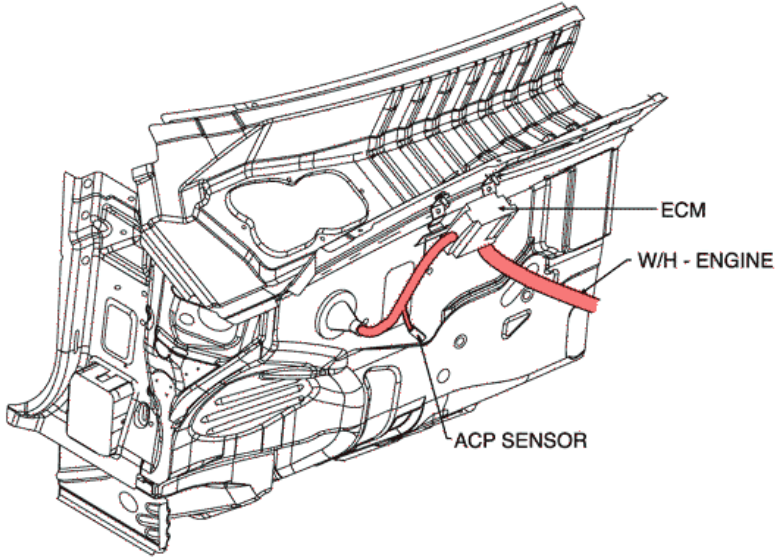
b. CONNECTOR IDENTIFICATION SYMBOL & PIN NUMBER POSITION



c. POSITION OF CONNECTORS AND GROUNDS

- W/H ENGINE CONTROL

W/H ENGINE CONTROL

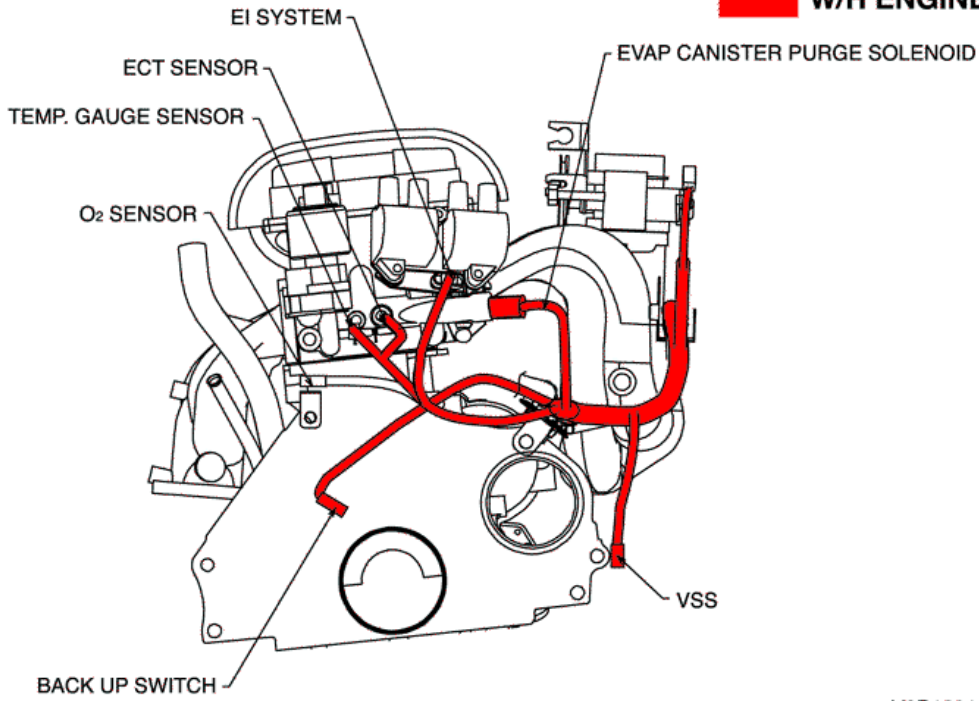


V3B12009



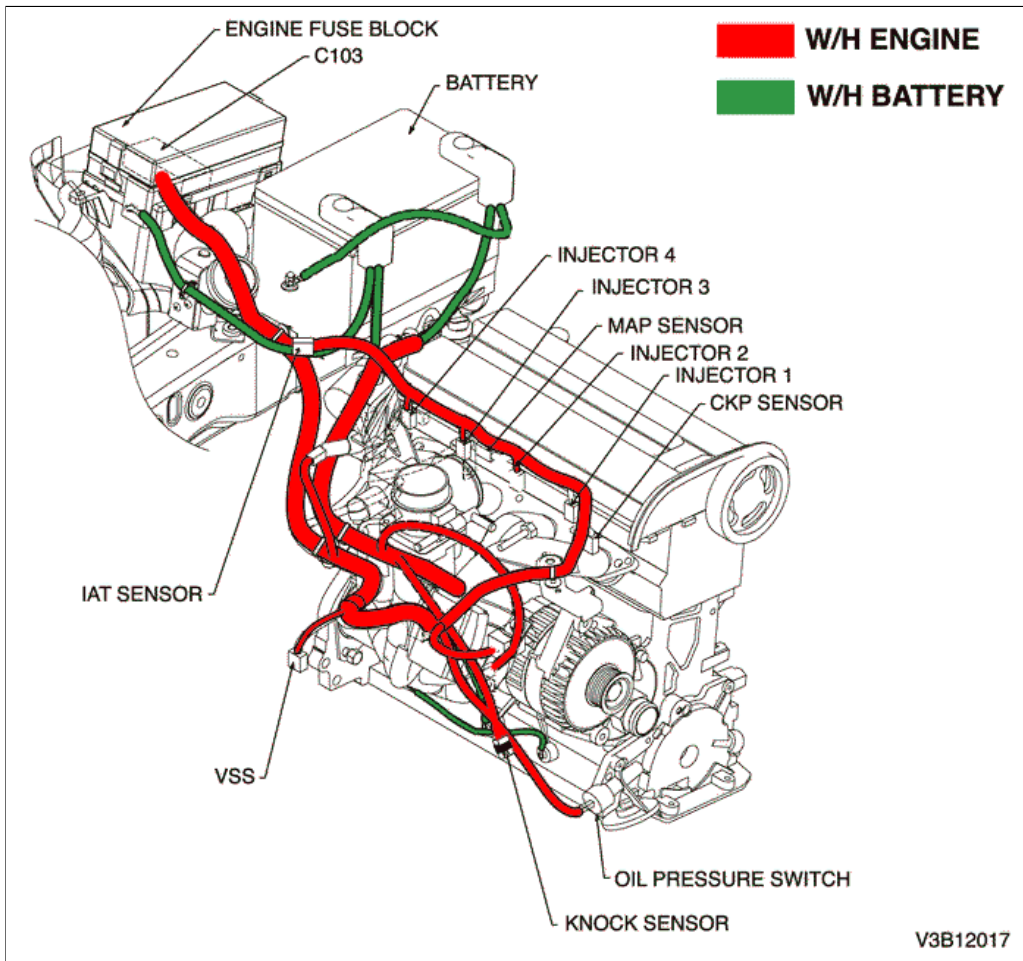
• **W/H ENGINE**

W/H ENGINE

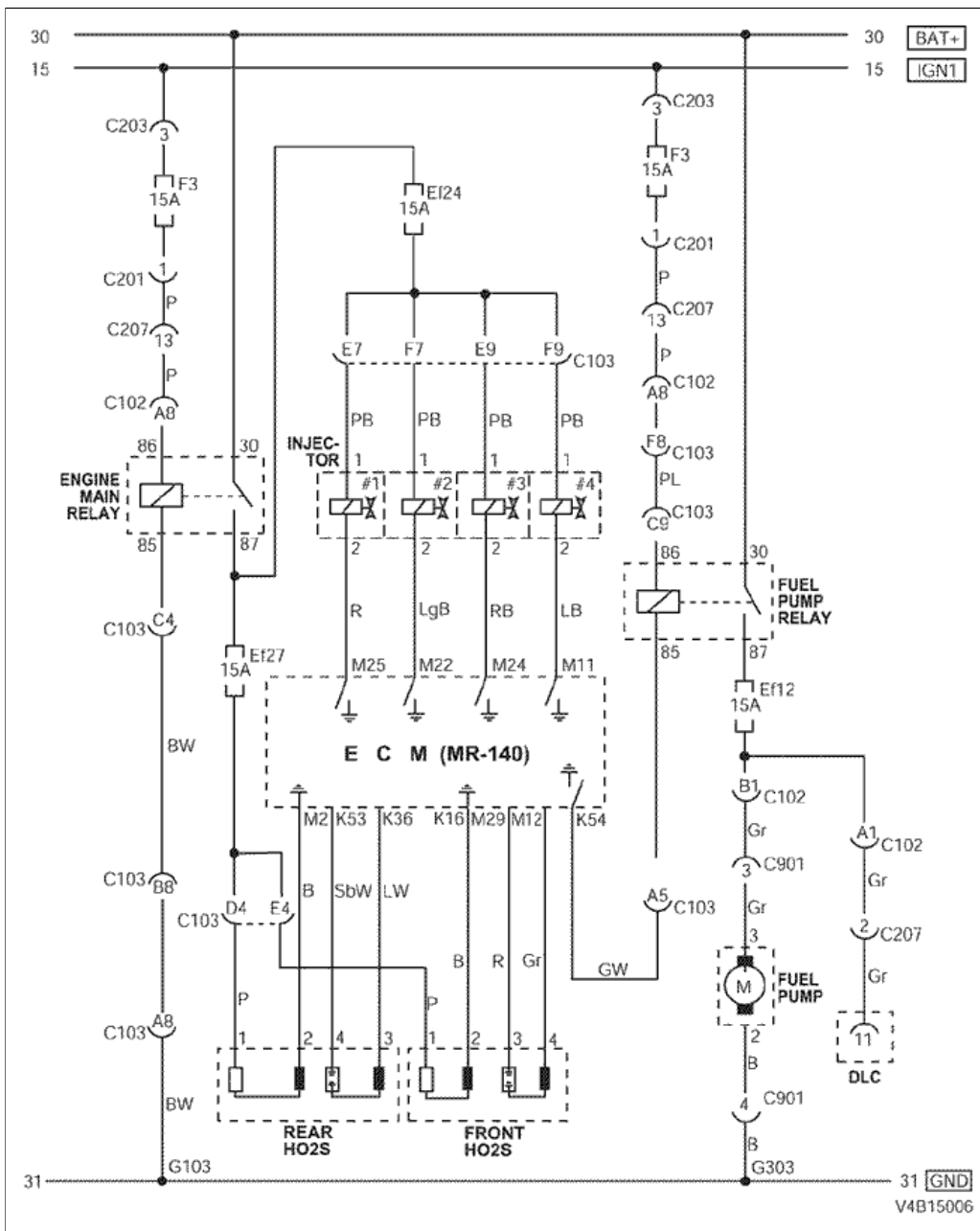


V3B12018





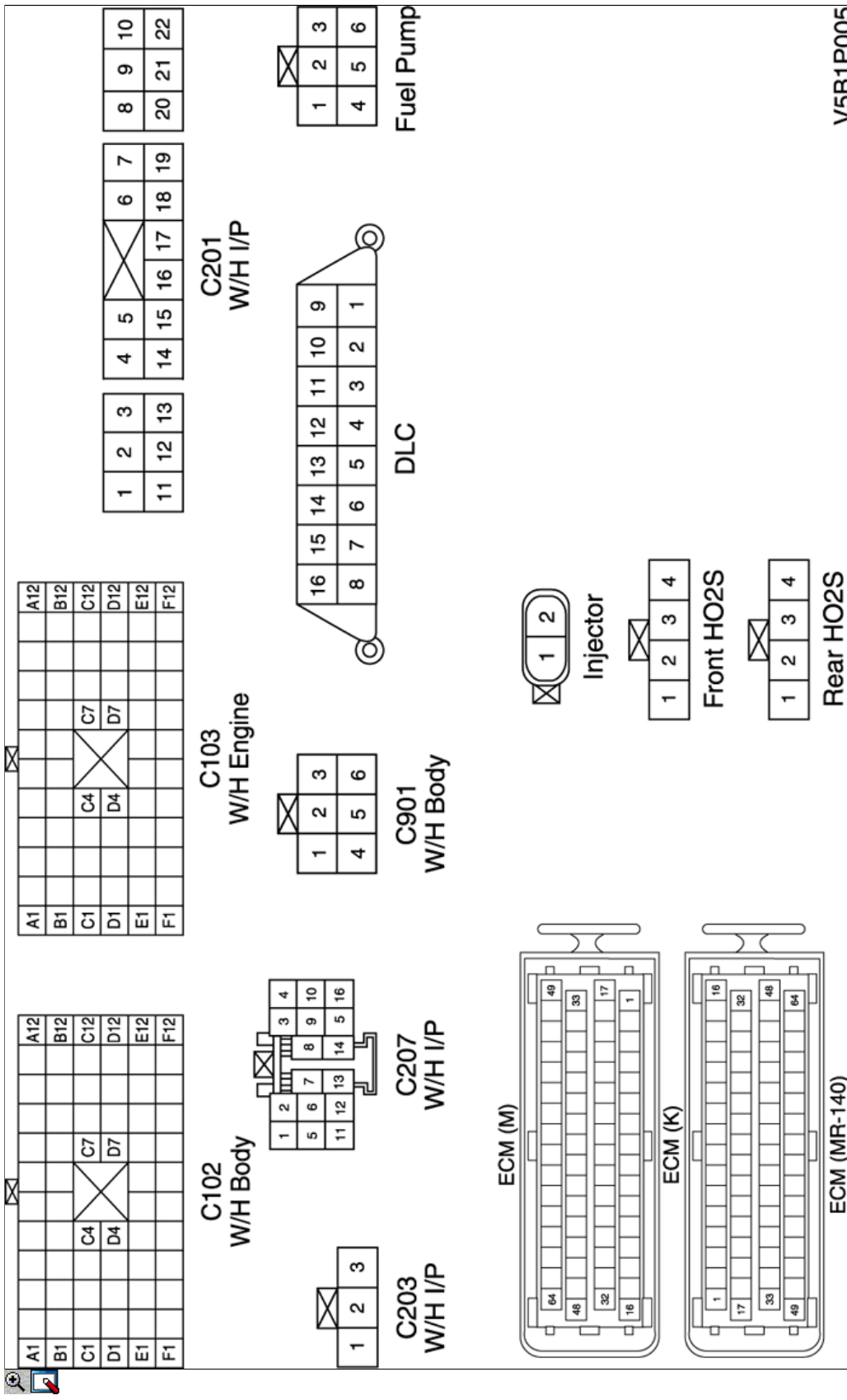
2) FUEL PUMP, INJECTOR & HEATED O2 SENSOR



a. CONNECTOR INFORMATION

CONNECTOR NO (PIN NO, COLOR)	CONNECTING WIRING HARNESS	CONNECTOR POSITION
C102 (68 Pin, Brown)	Engine Fuse Block - Body	Engine Fuse Block
C103 (68 Pin, Black)	Engine Fuse Block - Engine	Engine Fuse Block
C201 (22 Pin, White)	I/P Fuse Block - I/P	I/P Fuse Block
C203 (3 Pin, Gray)	I/P Fuse Block - I/P	I/P Fuse Block
C207 (16 Pin, White)	I/P - Body	Below Driver Leg Room
C901 (6 Pin, Black)	Body - Fuel Pump	Under Rear Seat
G103	Engine	Below Generator
G303	Body	Below the Left Side of Right C Pillar

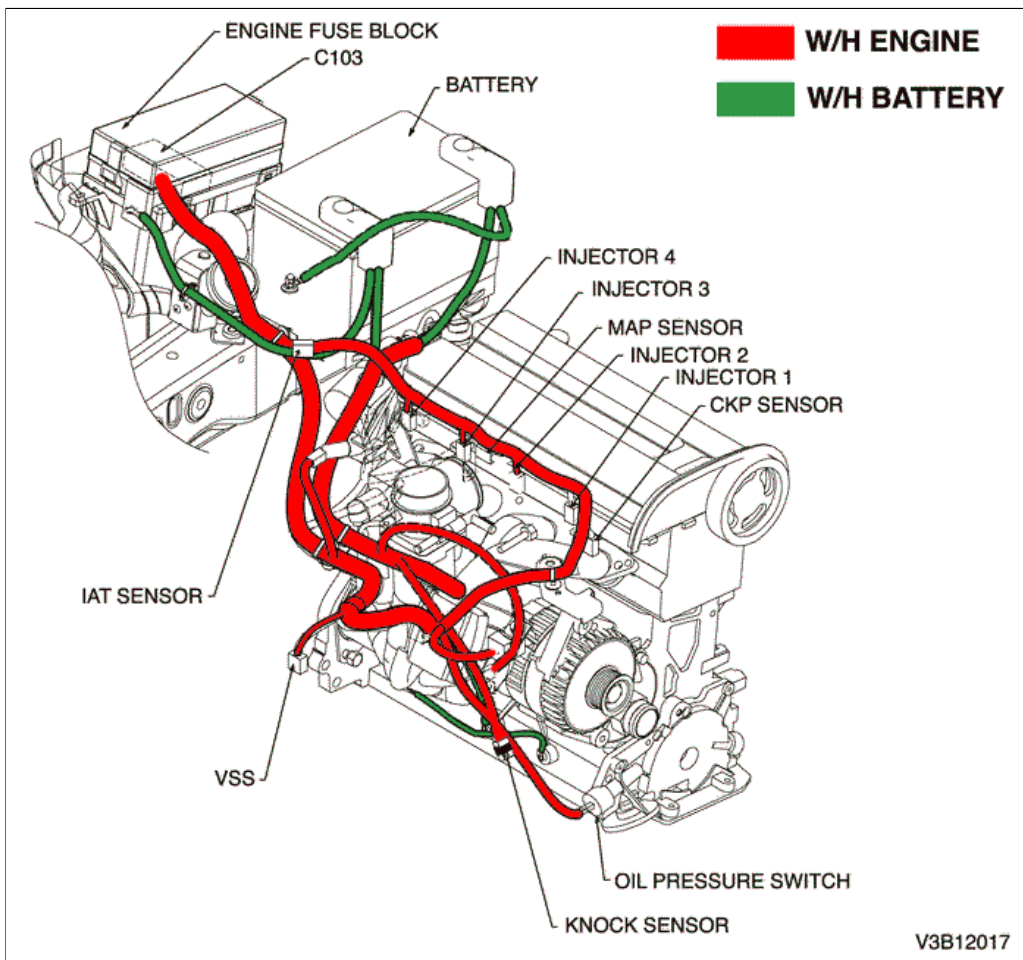
b. CONNECTOR IDENTIFICATION SYMBOL & PIN NUMBER POSITION



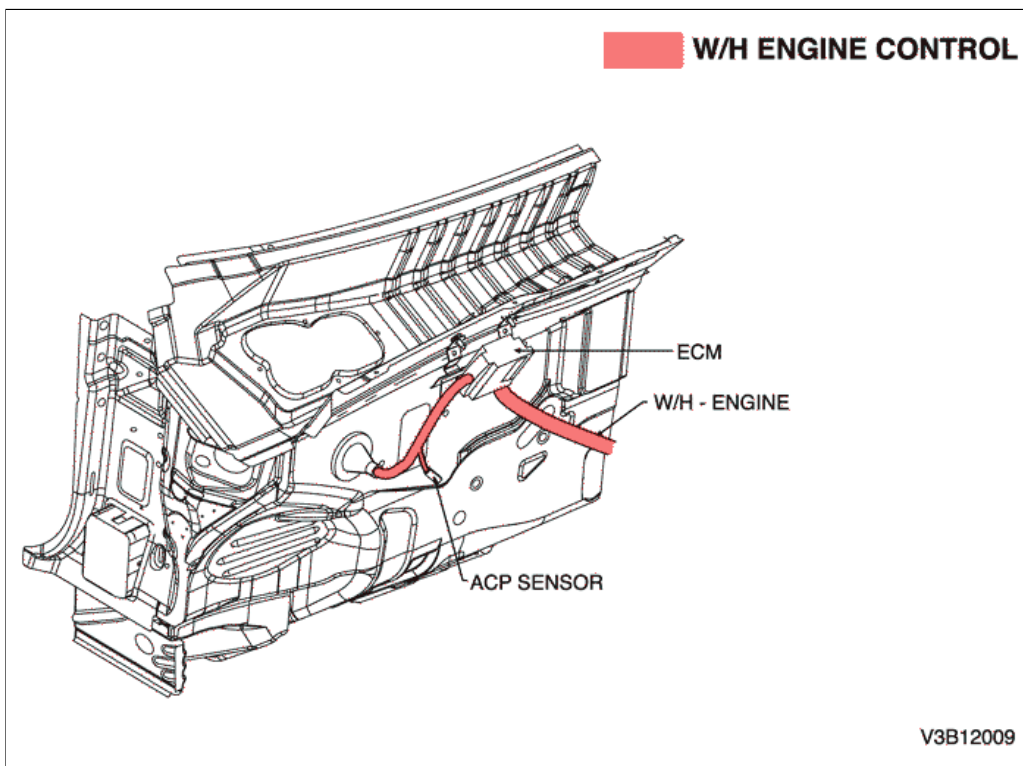
V5B1P005

c. POSITION OF CONNECTORS AND GROUNDS

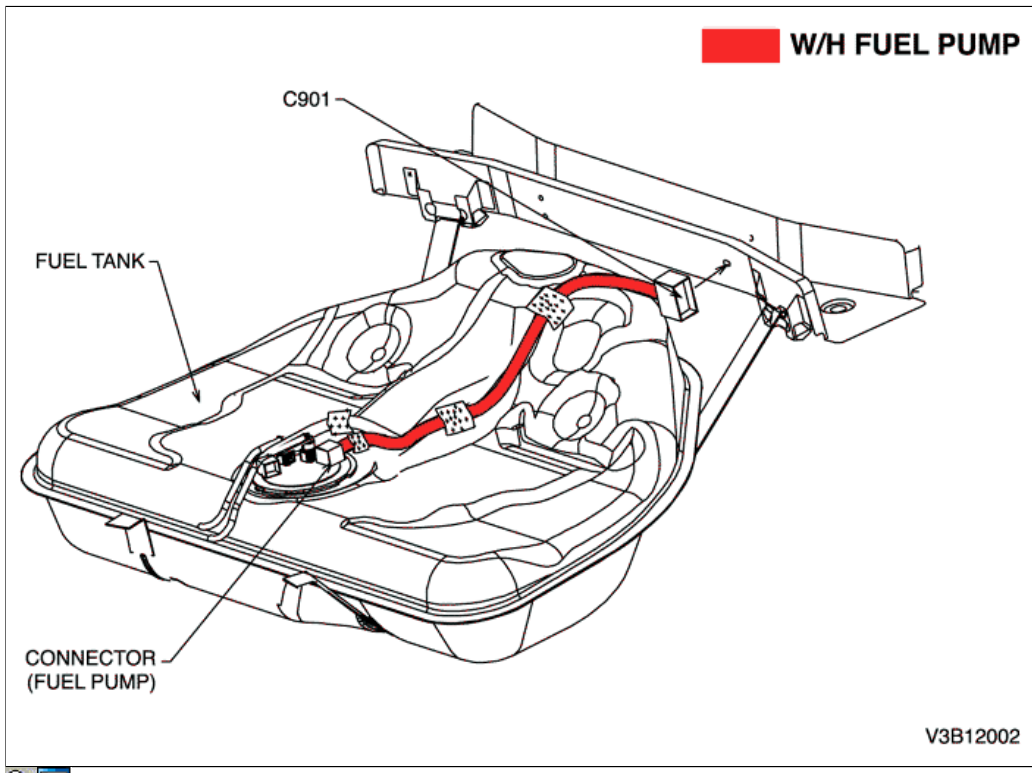
- W/H ENGINE



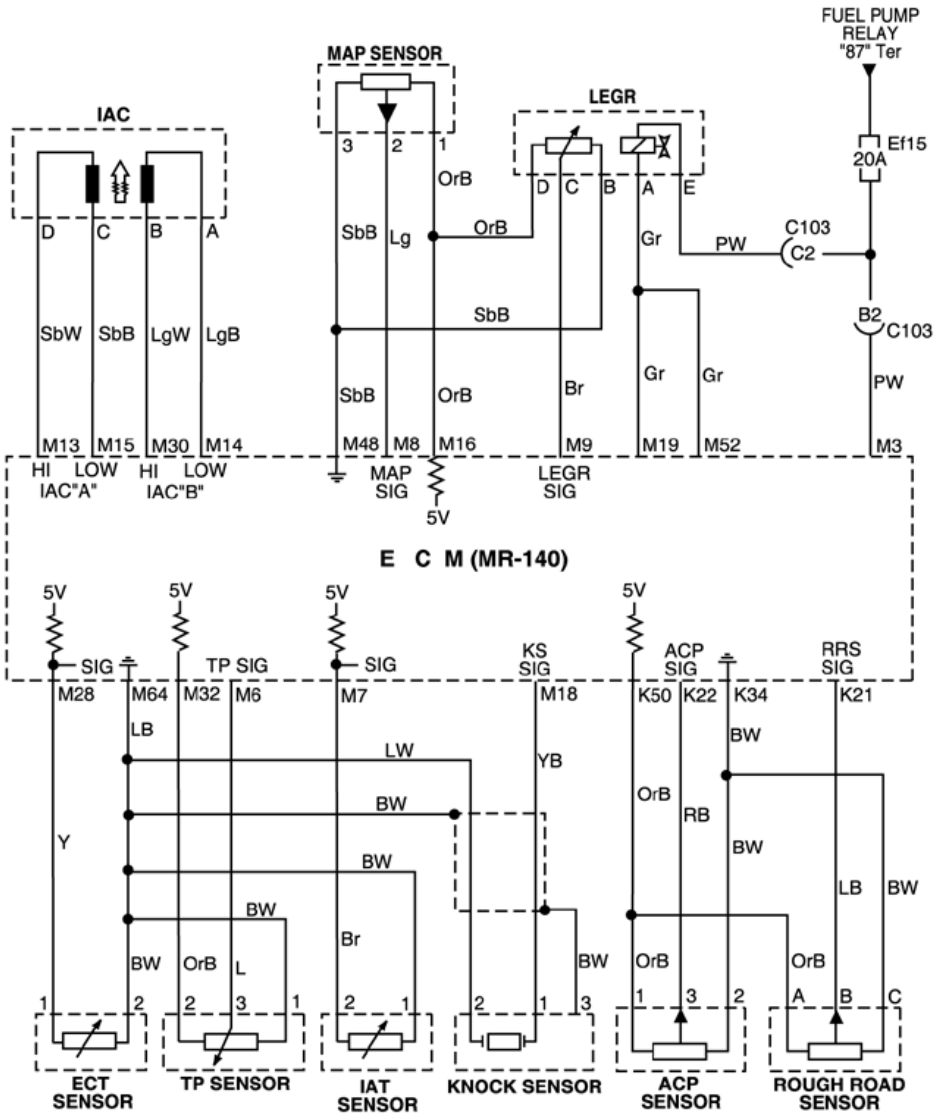
- **W/H ENGINE CONTROL**



- **W/H FUEL PUMP**



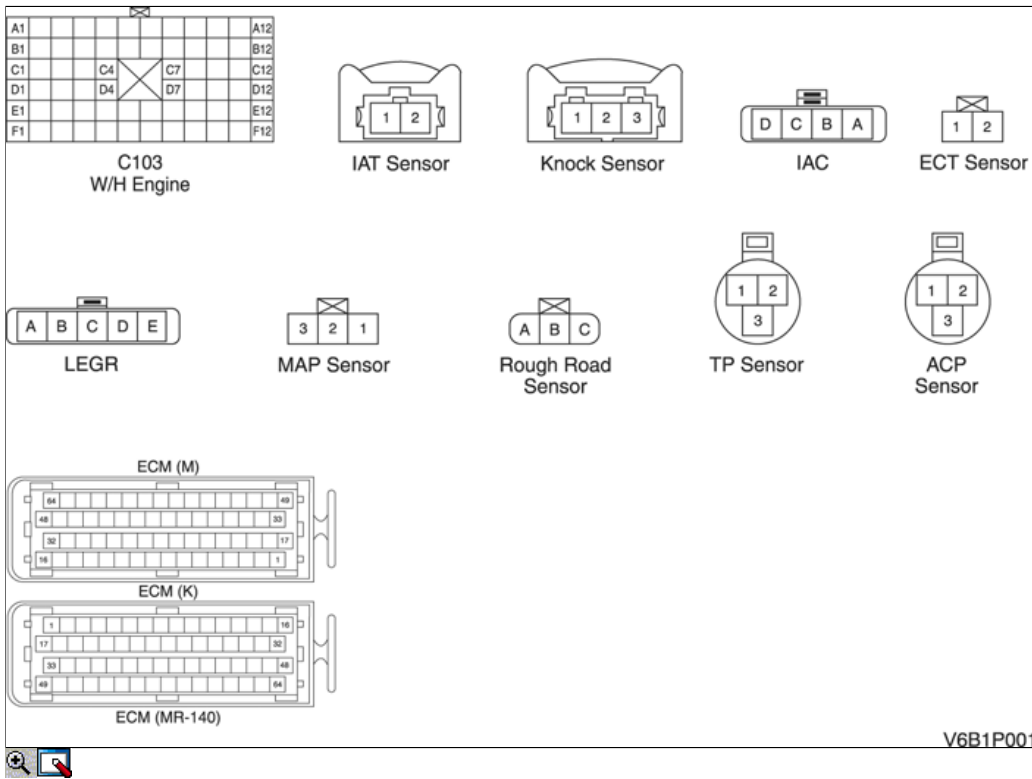
3) IAC, LEGR & SENSOR (MAP, ECT, TP, IAT, KNOCK, ACP, ROUGH ROAD) CIRCUIT



a. CONNECTOR INFORMATION

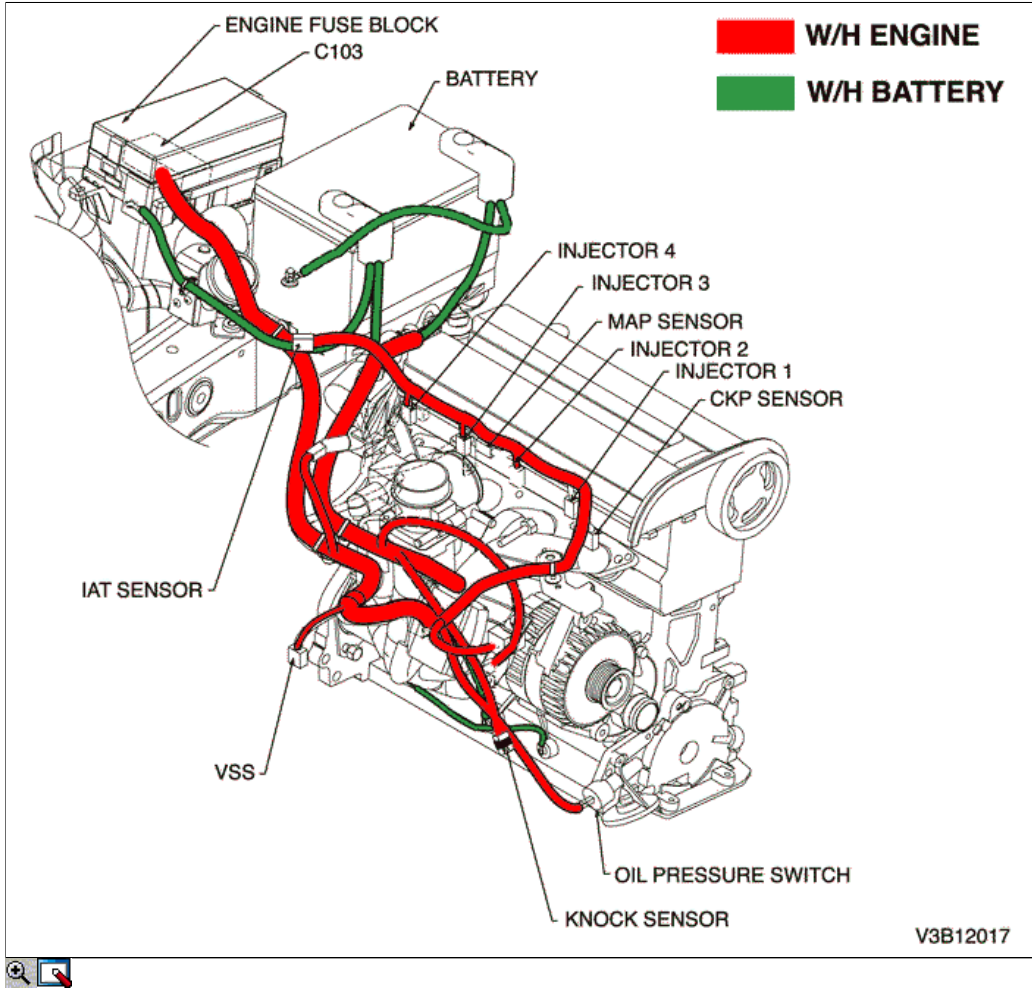
CONNECTOR NO (PIN NO, COLOR)	CONNECTING WIRING HARNESS	CONNECTOR POSITION
C103 (68 Pin, Black)	Engine Fuse Block - Engine	Engine Fuse Block

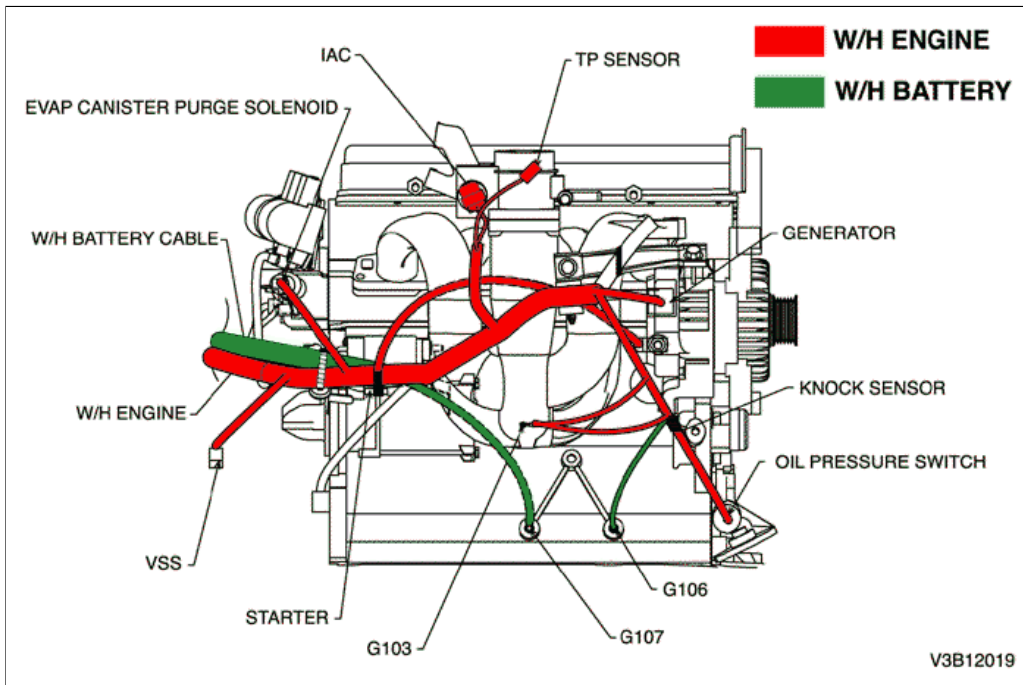
b. CONNECTOR IDENTIFICATION SYMBOL & PIN NUMBER POSITION



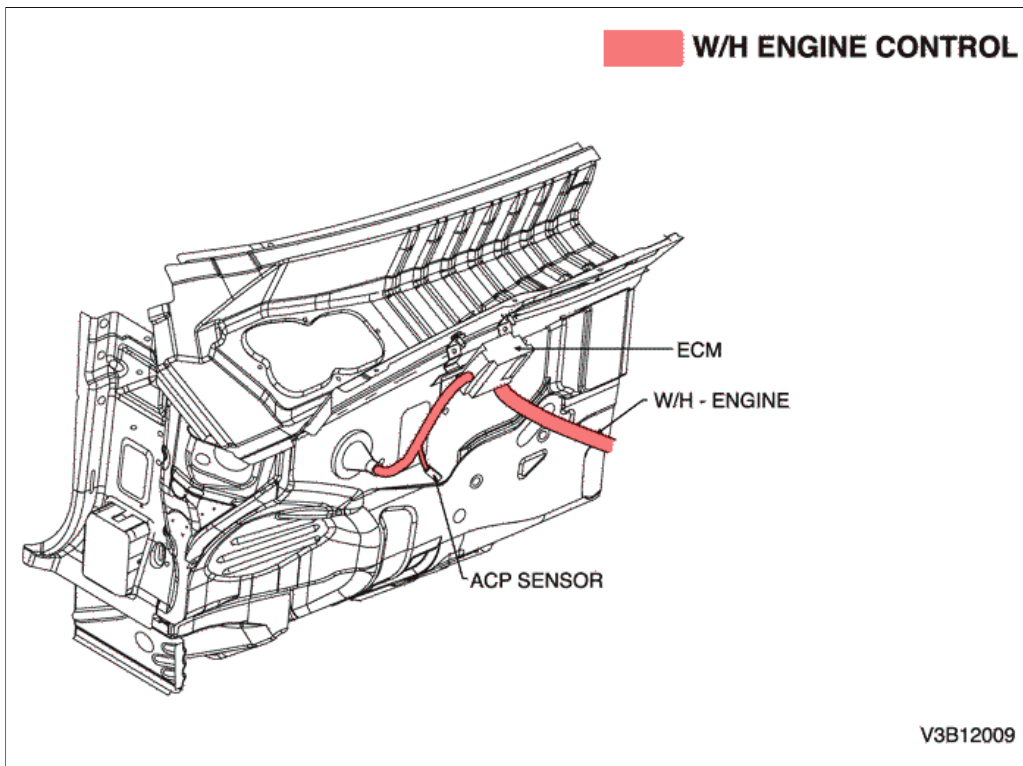
c. POSITION OF CONNECTORS AND GROUNDS

• W/H ENGINE

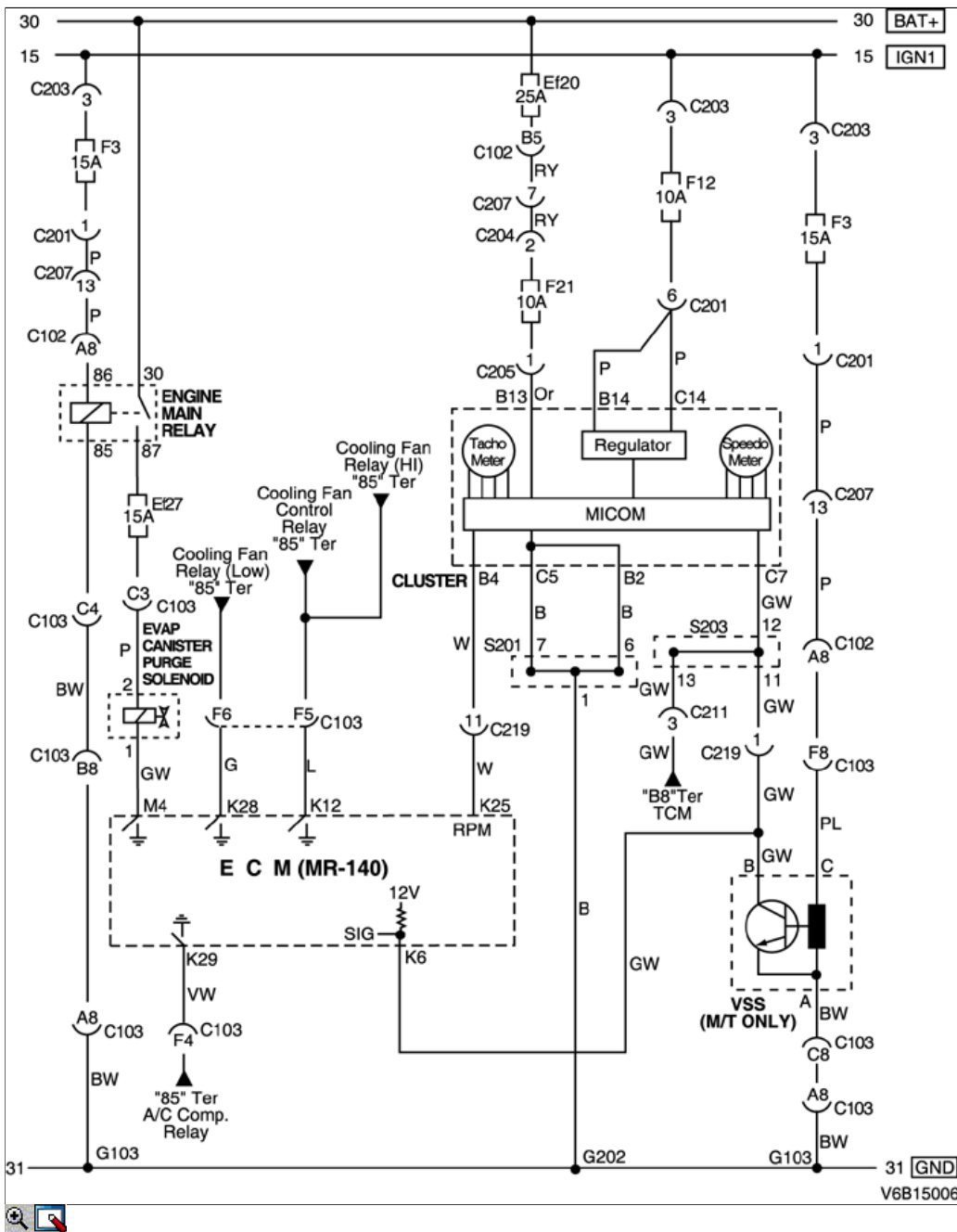




• W/H ENGINE CONTROL



4) VSS, EVAP CANISTER PURGE SOLENOID & CLUSTER CIRCUIT

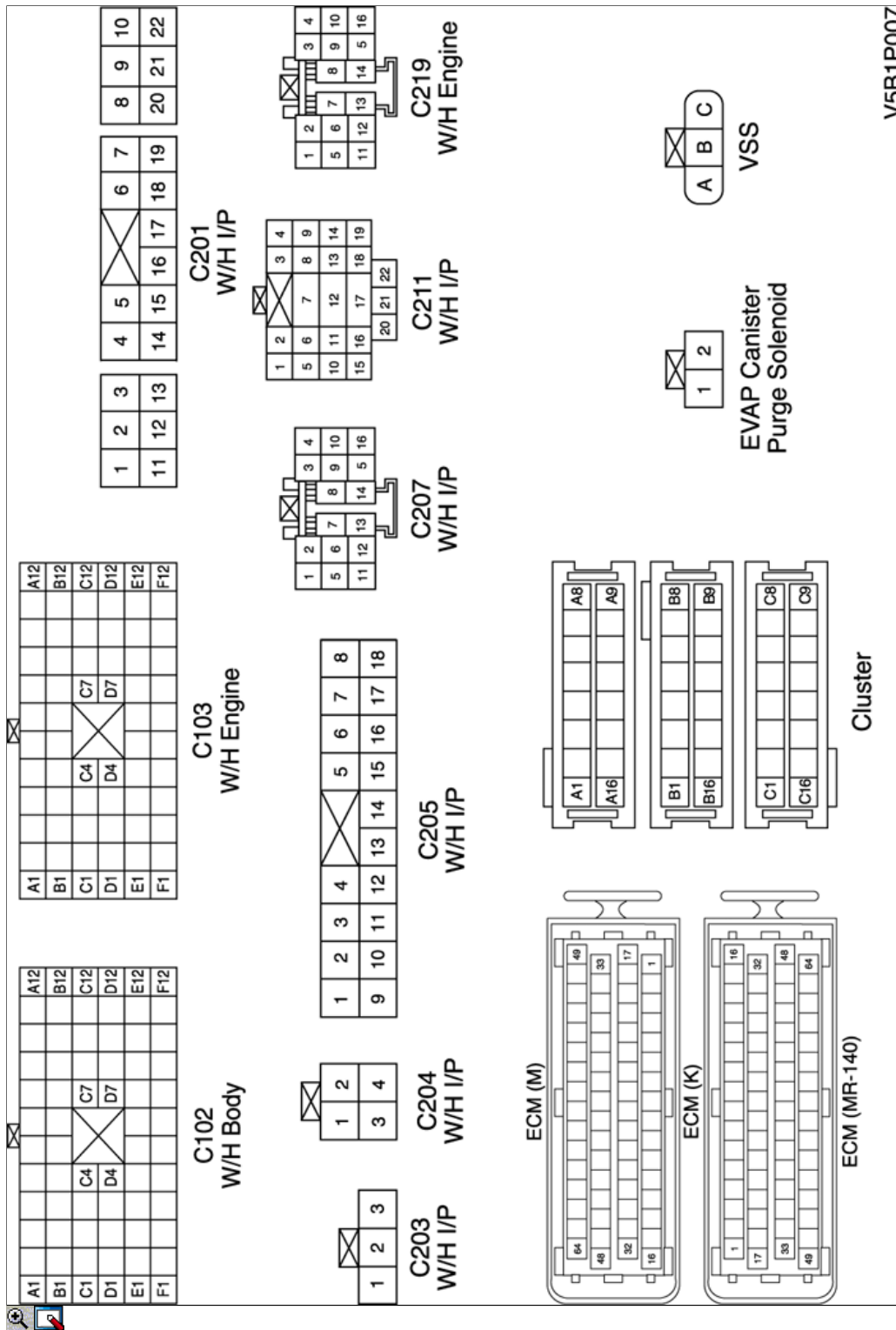


a. CONNECTOR INFORMATION

CONNECTOR NO (PIN NO, COLOR)	CONNECTING WIRING HARNESS	CONNECTOR POSITION
C102 (68 Pin, Brown)	Engine Fuse Block - Body	Engine Fuse Block
C103 (68 Pin, Black)	Engine Fuse Block - Engine	Engine Fuse Block
C201 (22 Pin, White)	I/P Fuse Block - I/P	I/P Fuse Block
C203 (3 Pin, Gray)	I/P Fuse Block - I/P	I/P Fuse Block
C204 (4 Pin, White)	I/P Fuse Block - I/P	I/P Fuse Block
C205 (18 Pin, White)	I/P Fuse Block - I/P	I/P Fuse Block
C207 (16 Pin, White)	I/P - Body	Below Driver Leg Room
C211 (22 Pin, White)	I/P - TCM	Below Driver Leg Room
C219 (16 Pin, White)	Engine - I/P (MR-140)	Below CO-Driver Leg Room
S201 (Orange)	I/P	Behind I/P Relay Box
S203 (Orange)	I/P	Behind the Right Side of Audio
G103	Engine	Below Generator

CONNECTOR NO (PIN NO, COLOR)	CONNECTING WIRING HARNESS	CONNECTOR POSITION
G202	I/P	Behind the Left Side of Cigar Lighter

b. CONNECTOR IDENTIFICATION SYMBOL & PIN NUMBER POSITION

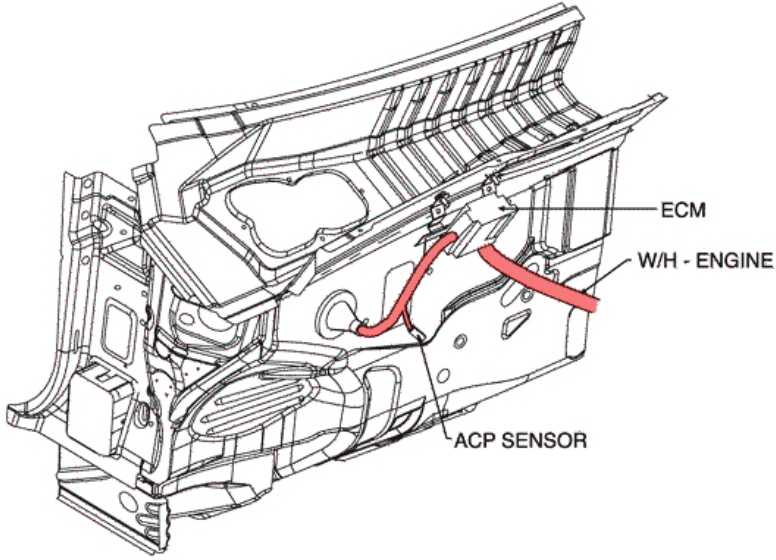


V5B1P007

c. POSITION OF CONNECTORS AND GROUNDS

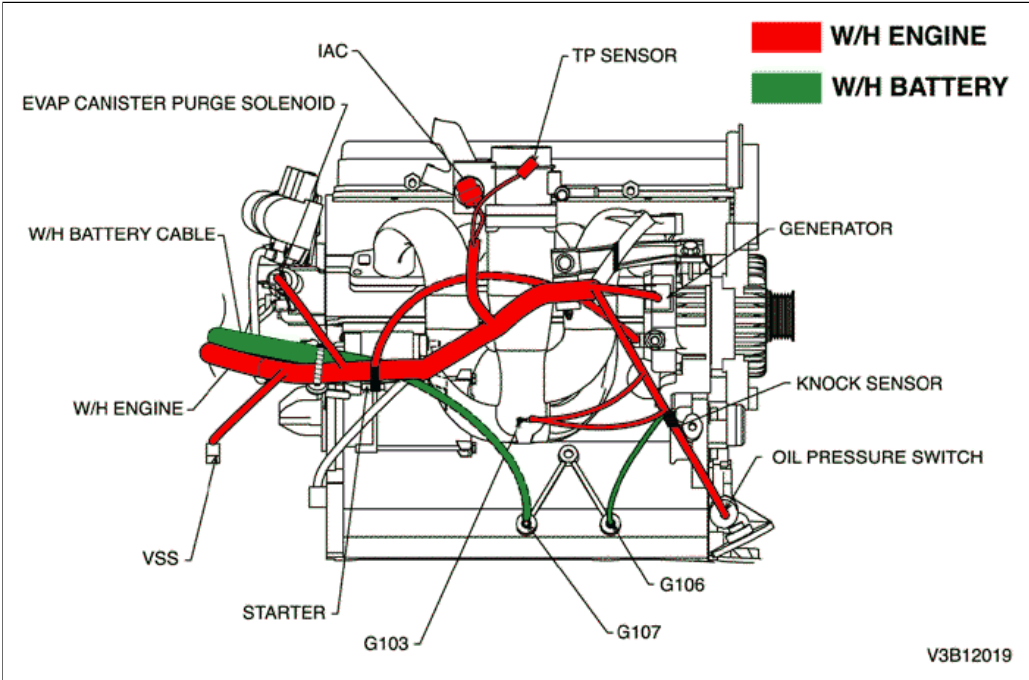
- W/H ENGINE CONTROL

W/H ENGINE CONTROL



V3B12009

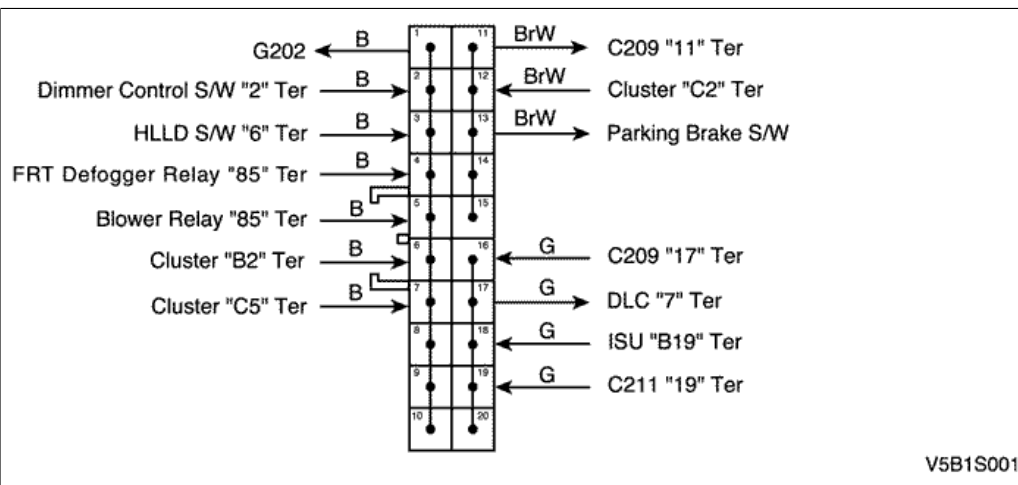
• **W/H ENGINE**



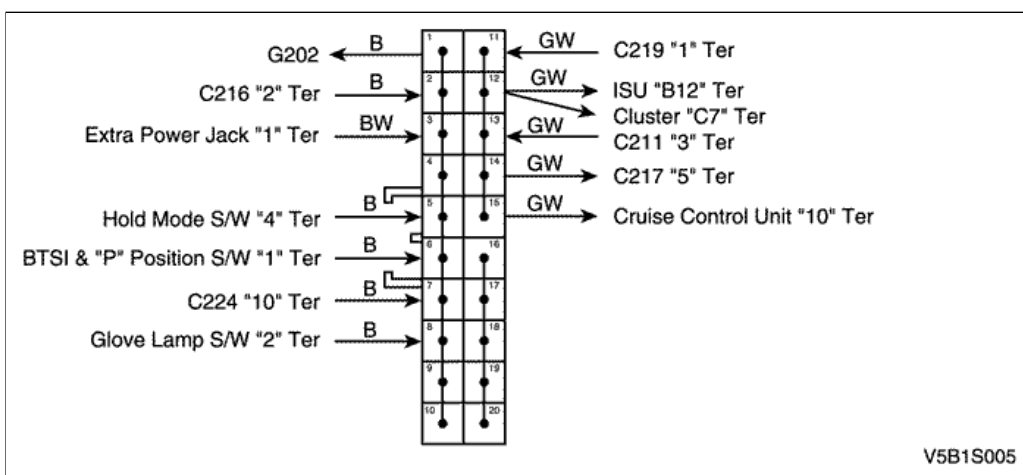
V3B12019

d. SPLICE PACK

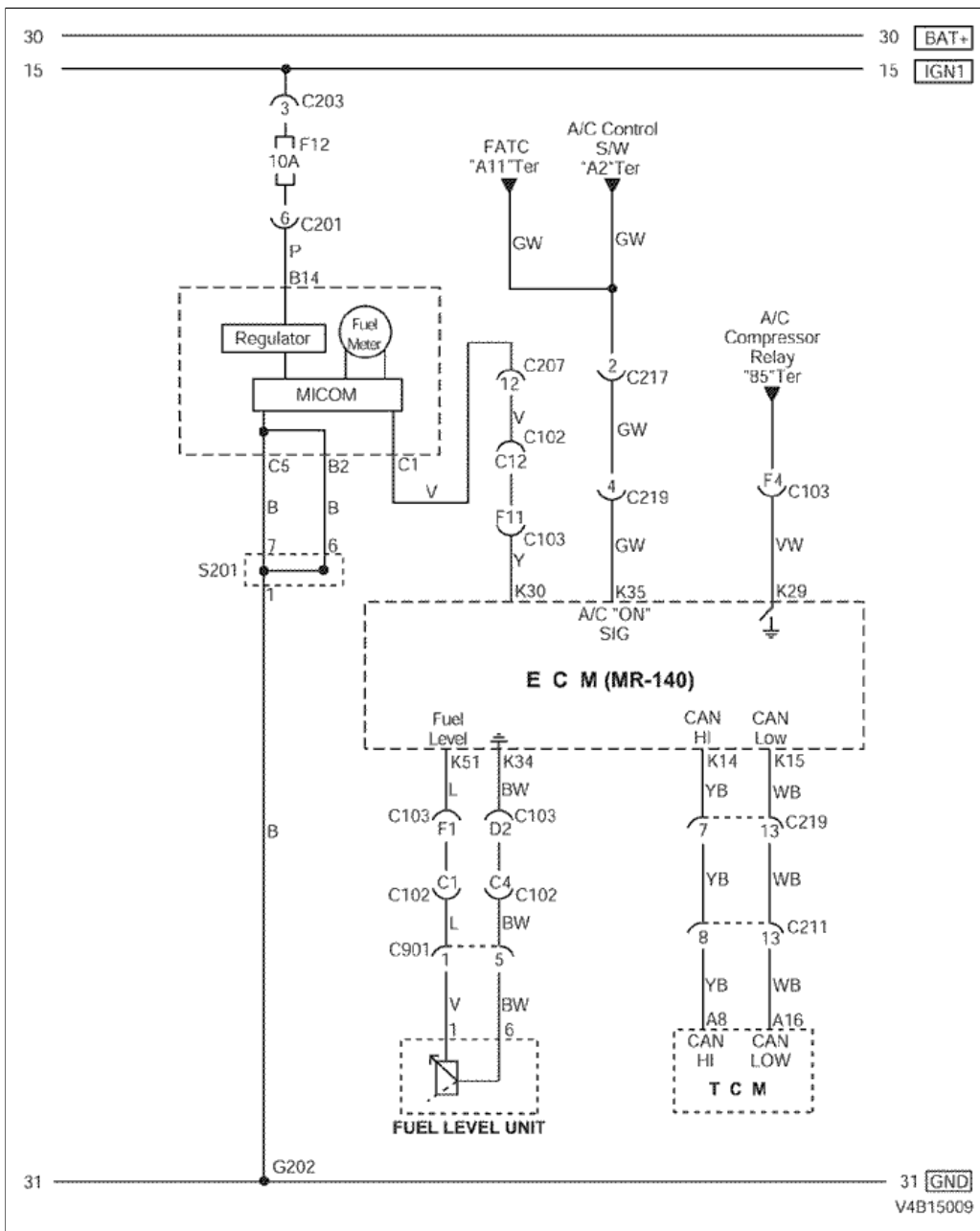
S201 (ORANGE) : 2.0L



S203 (ORANGE) : 2.0L



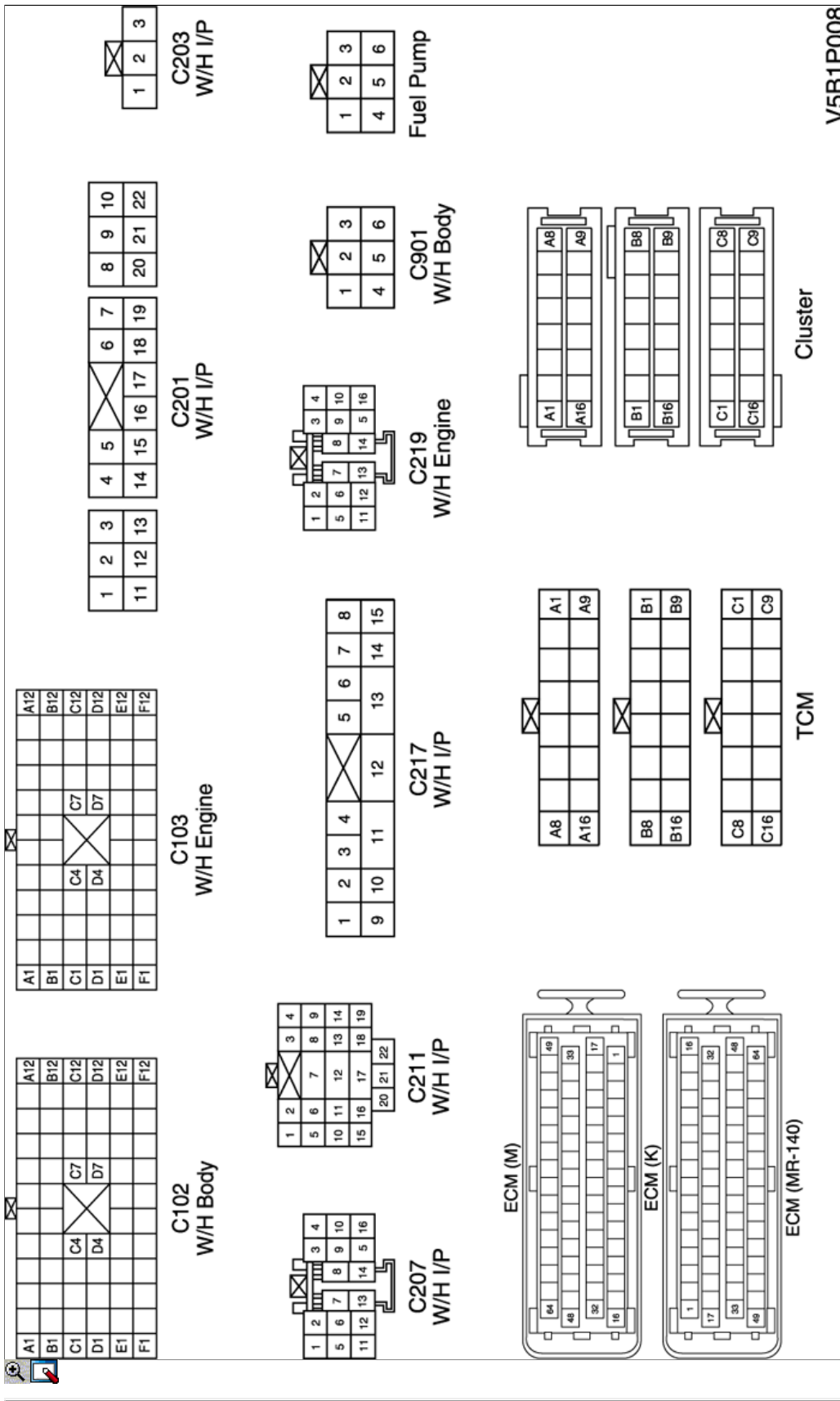
5) FUEL LEVEL UNIT & TCM CIRCUIT



a. CONNECTOR INFORMATION

CONNECTOR NO (PIN NO, COLOR)	CONNECTING WIRING HARNESS	CONNECTOR POSITION
C102 (68 Pin, Brown)	Engine Fuse Block - Body	Engine Fuse Block
C103 (68 Pin, Black)	Engine Fuse Block - Engine	Engine Fuse Block
C201 (22 Pin, White)	I/P Fuse Block - I/P	I/P Fuse Block
C203 (3 Pin, Gray)	I/P Fuse Block - I/P	I/P Fuse Block
C207 (16 Pin, White)	I/P - Body	Below Driver Leg Room
C211 (22 Pin, White)	I/P - TCM	Below Driver Leg Room
C217 (15 Pin, White)	I/P - FATC	Behind Glove Box
C219 (16 Pin, White)	Engine - I/P(MR-140)	Below CO-Driver Leg Room
C901 (6 Pin, Black)	Body - Fuel Pump	Under Rear Seat
S201 (Orange)	I/P	Behind I/P Relay Box
G202	I/P	Behind the Left Side of Cigar Lighter

b. CONNECTOR IDENTIFICATION SYMBOL & PIN NUMBER POSITION

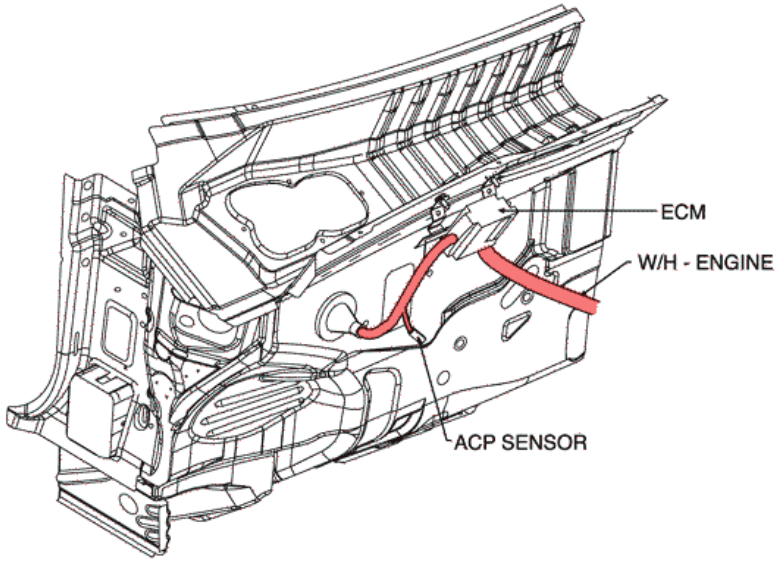


V5B1P008

c. POSITION OF CONNECTORS AND GROUNDS

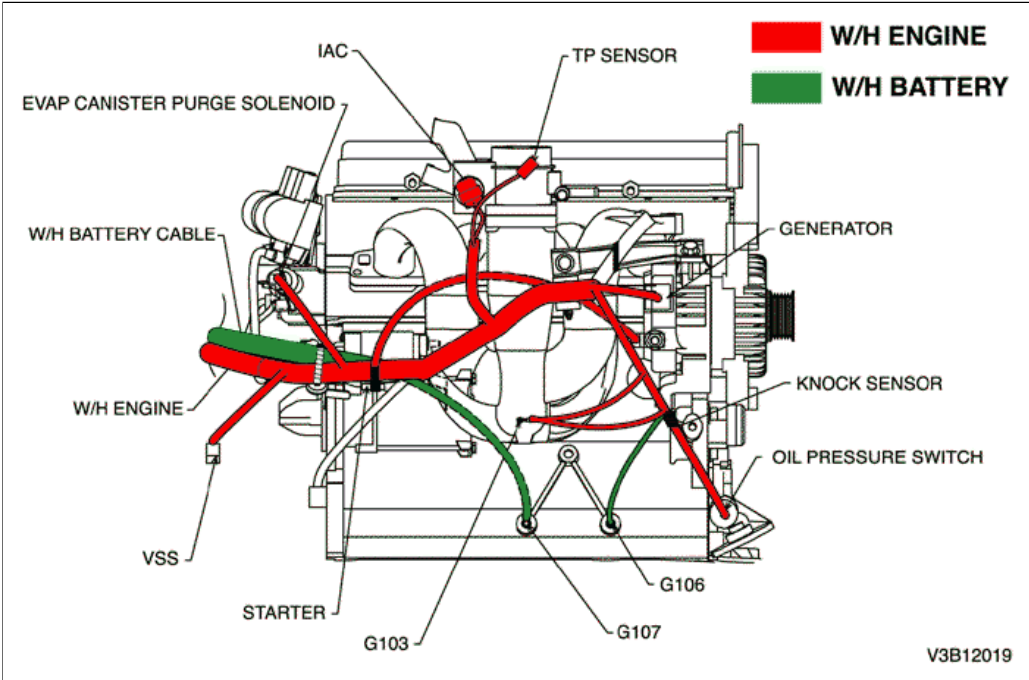
- W/H ENGINE CONTROL

W/H ENGINE CONTROL



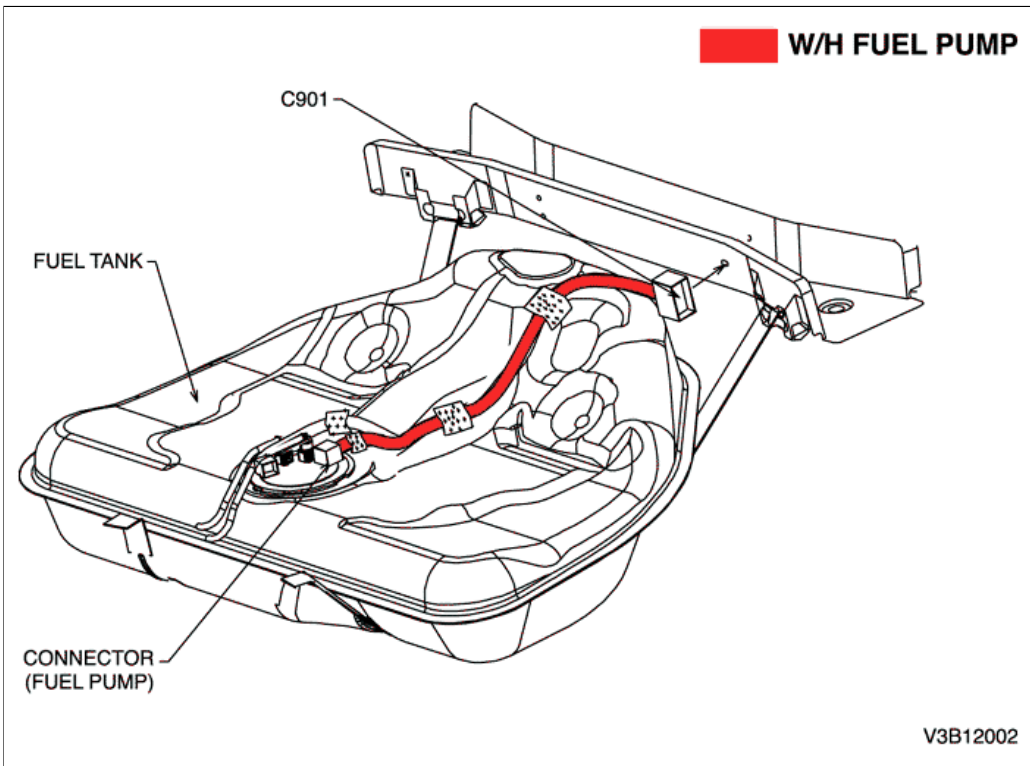
V3B12009

• **W/H ENGINE**



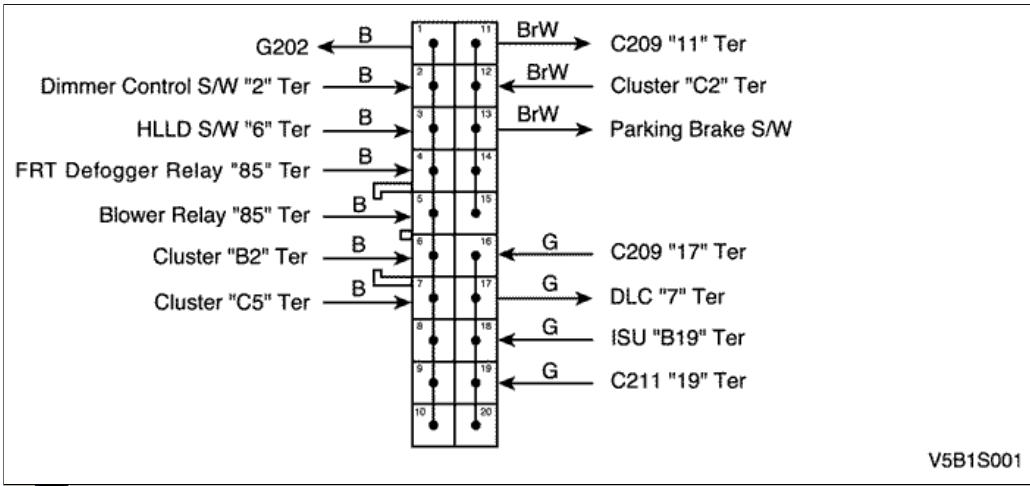
V3B12019

• **W/H FUEL PUMP**

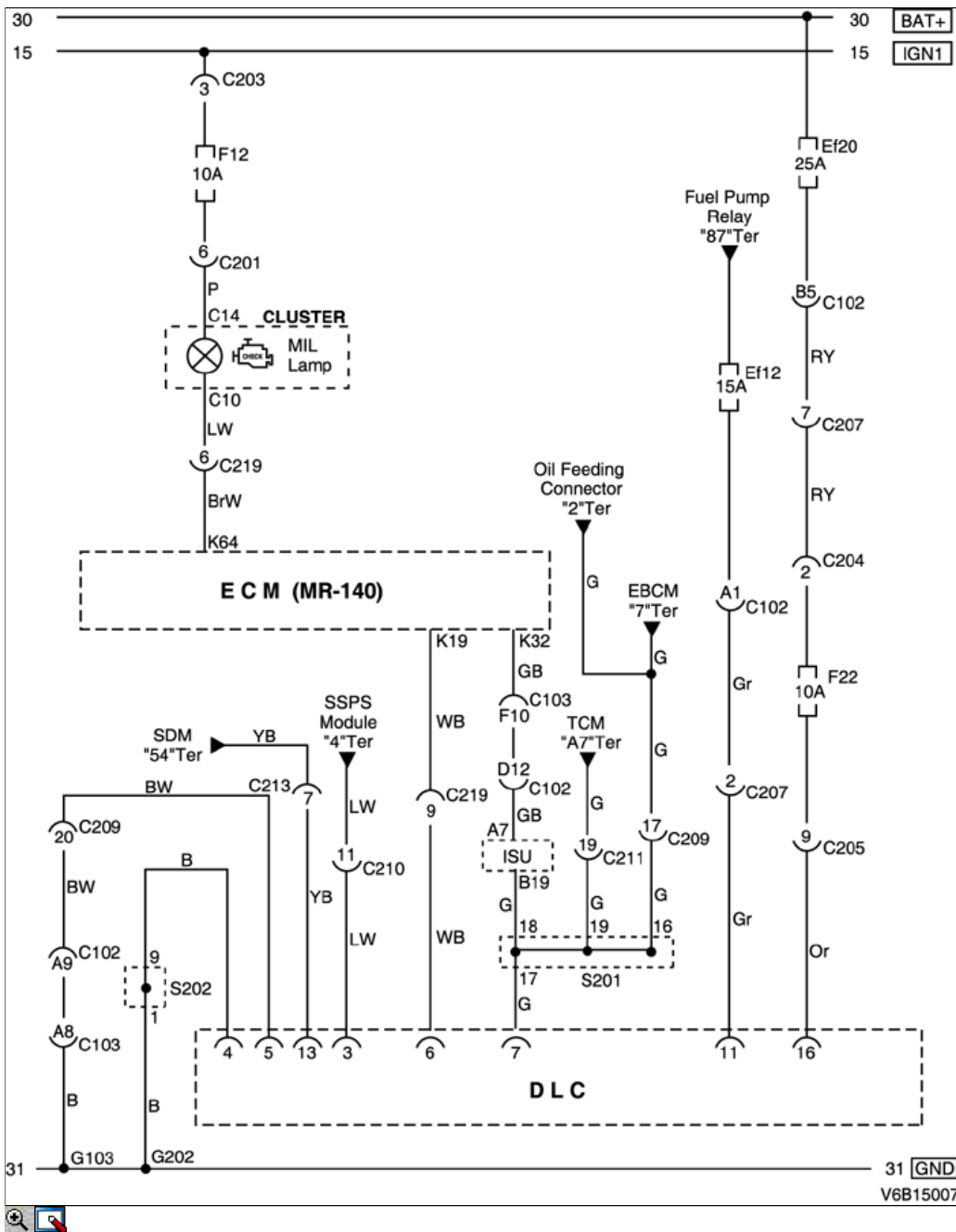


d. SPLICE PACK

S201 (ORANGE) : 2.0L



6) MIL LAMP & DLC CIRCUIT

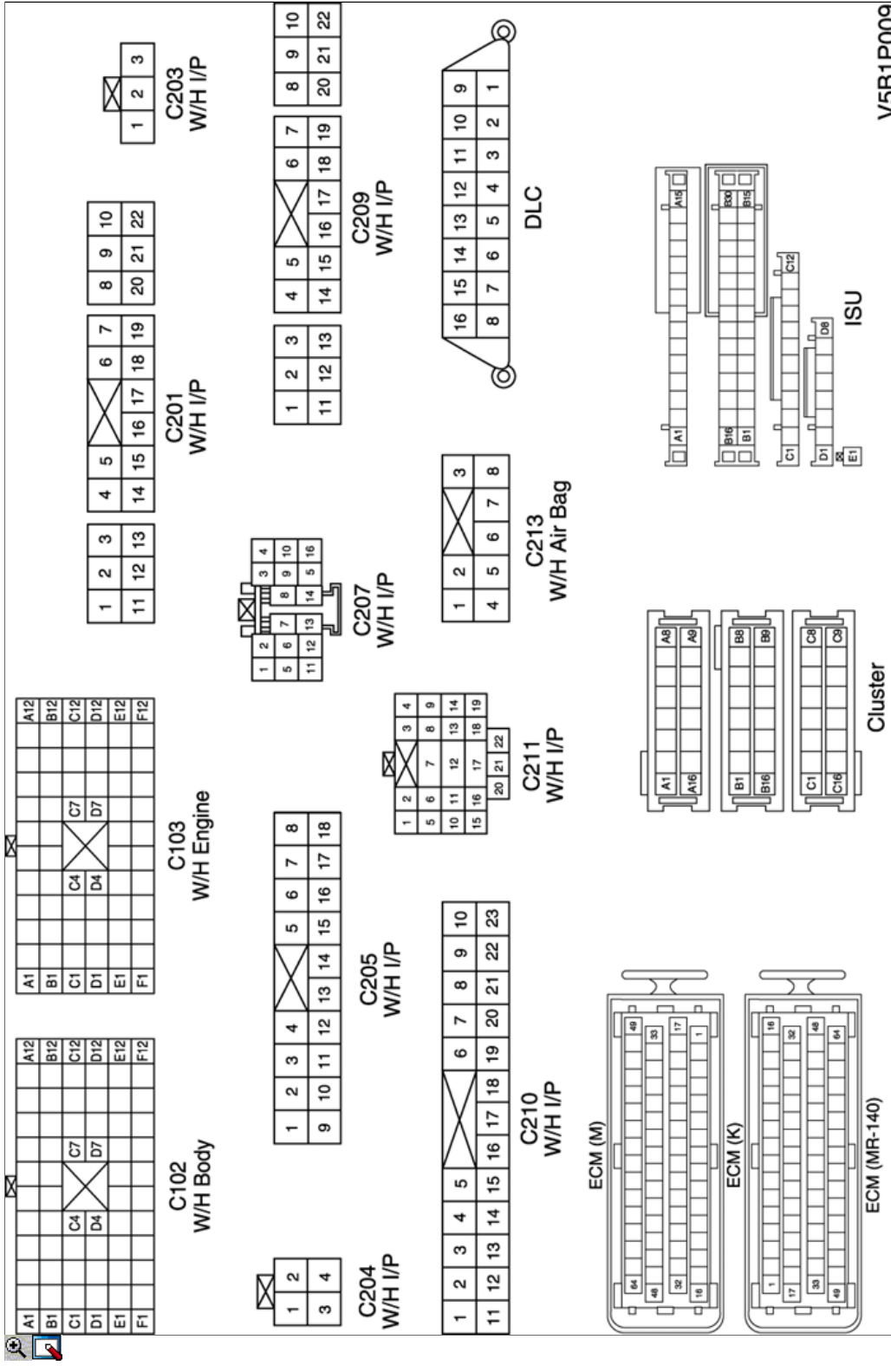


a. CONNECTOR INFORMATION

CONNECTOR NO (PIN NO, COLOR)	CONNECTING WIRING HARNESS	CONNECTOR POSITION
C102 (68 Pin, Brown)	Engine Fuse Block - Body	Engine Fuse Block
C103 (68 Pin, Black)	Engine Fuse Block - Engine	Engine Fuse Block
C201 (22 Pin, White)	I/P Fuse Block - I/P	I/P Fuse Block
C203 (3 Pin, Gray)	I/P Fuse Block - I/P	I/P Fuse Block
C204 (4 Pin, White)	I/P Fuse Block - I/P	I/P Fuse Block
C205 (18 Pin, White)	I/P Fuse Block - I/P	I/P Fuse Block
C207 (16 Pin, White)	I/P - Body	Below Driver Leg Room
C209 (22 Pin, White)	I/P - Body	Below Driver Leg Room
C210 (23 Pin, White)	I/P - Body	Below Driver Leg Room
C211 (22 Pin, White)	I/P - TCM	Below Driver Leg Room
C213 (8 Pin, White)	Air Bag - I/P	Behind Digital Clock
C219 (16 Pin, White)	Engine - I/P (MR-140)	Below CO-Driver Leg Room

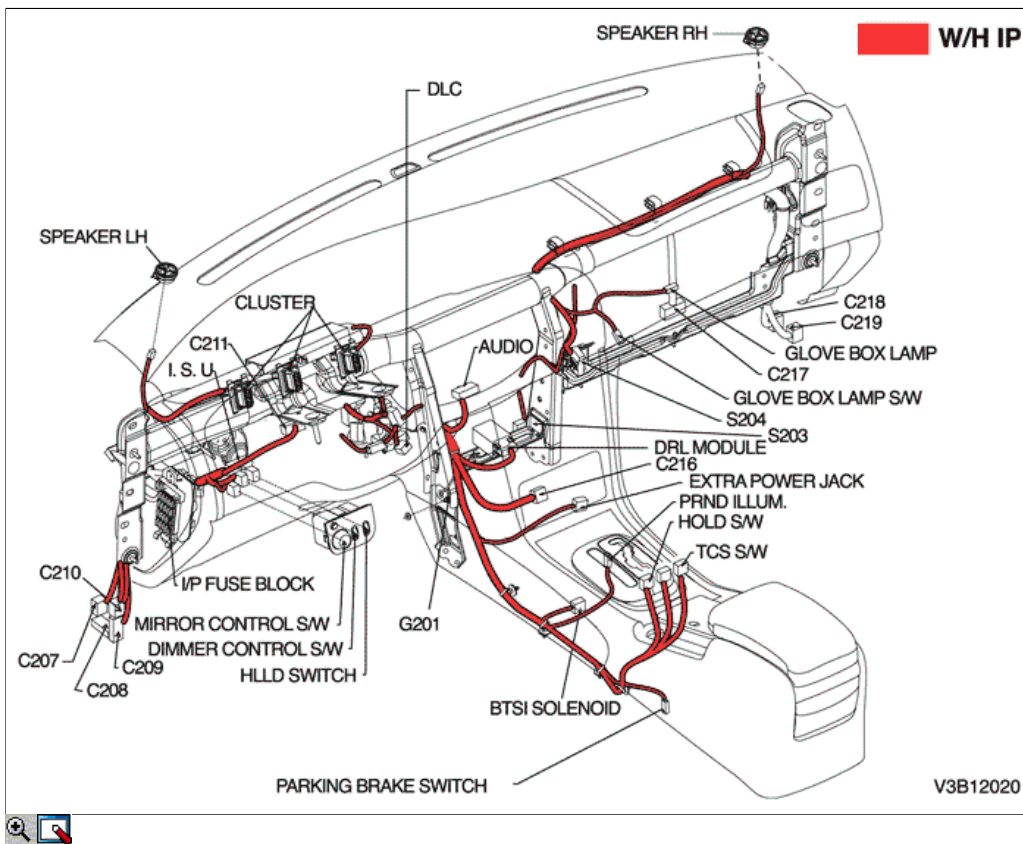
CONNECTOR NO (PIN NO, COLOR)	CONNECTING WIRING HARNESS	CONNECTOR POSITION
S201 (Orange)	I/P	Behind I/P Relay Box
S202 (Orange)	I/P	Upper the Right Side of Driver Leg Room
G103	Engine	Below Generator
G202	I/P	Behind the Left Side of Cigar Lighter

b. CONNECTOR IDENTIFICATION SYMBOL & PIN NUMBER POSITION



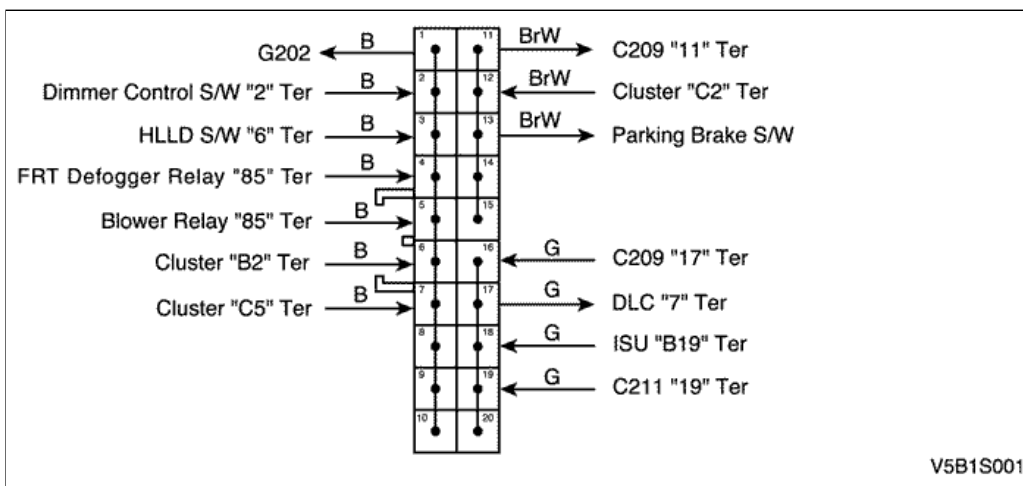
c. POSITION OF CONNECTORS AND GROUNDS

- W/H INSTRUMENT PANEL

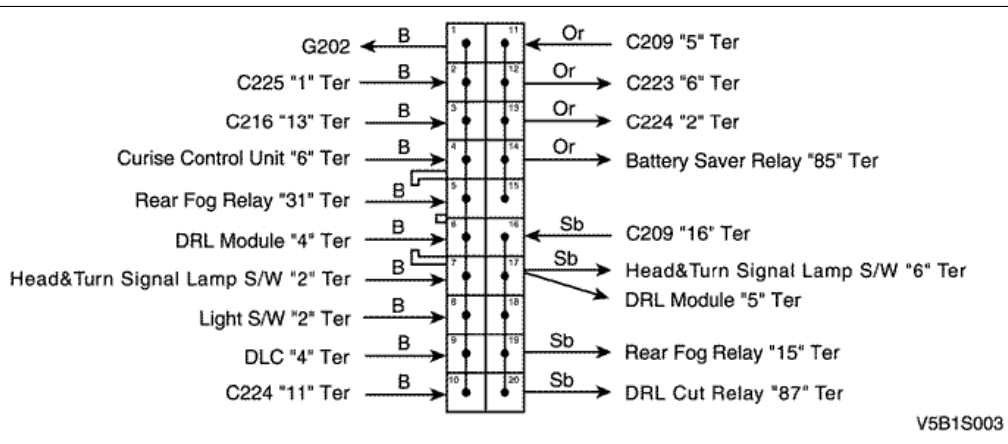


d. SPLICE PACK

S201 (ORANGE) : 2.0L



S202 (ORANGE) : 2.0L



© Copyright Chevrolet Europe. All rights reserved