

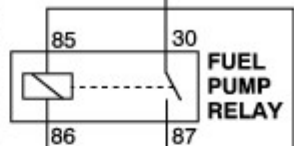
30

30

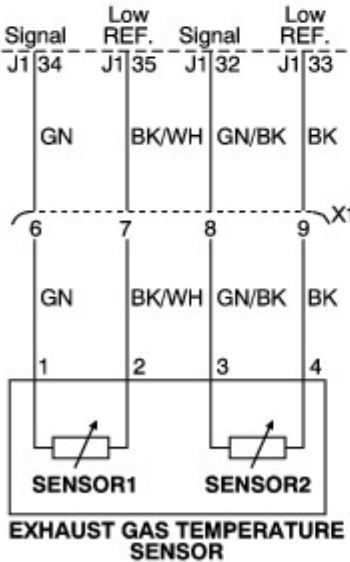
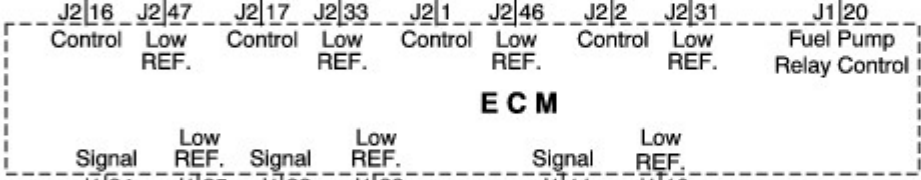
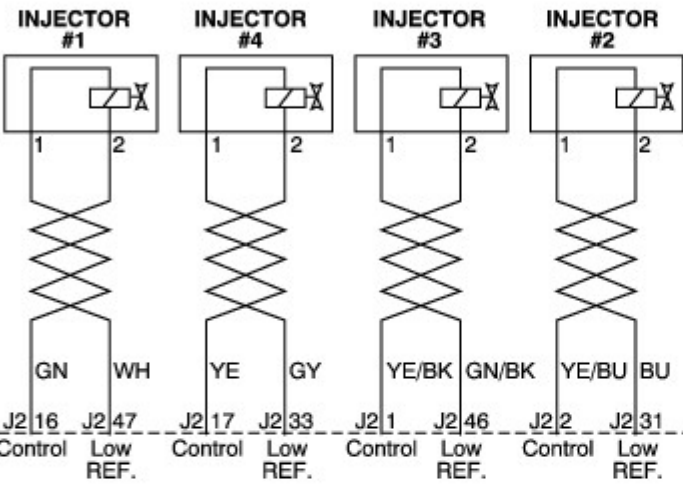
B+

ENGINE FUSE BLOCK

Ef16
20A



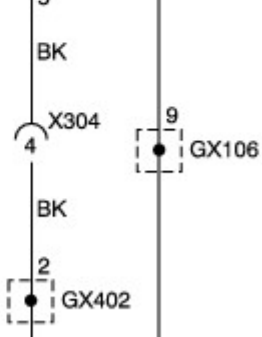
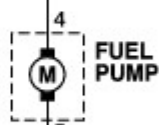
J1 48 J2 1 J1 39



J1 34 J1 35 J1 32 J1 33

X103

J1 11 J1 10



31

31

GND